

MOUNTING ADAPTOR SELECTION GUIDE



in **sink** erator®



ADAPTABILITY IS ONE OF OUR BEST FEATURES.



Our disposers include two types of stainless steel collar adaptors and a sink flange adaptor to accommodate any size sink opening. Customize your disposer and clean up operation by choosing from a variety of bowl sink assemblies designed for dish tables or drainboards.

Use This Chart to Select the Correct InSinkErator Mounting Adaptor

- Disconnect existing disposer from sink bowl or cone.
- Find the diagram that matches your sink bowl or cone.
- Measure the A and B dimensions (also C, D and E if indicated).
- Match the manufacturer and dimensions to find the adaptor number to order.

1

FLANGE SINK MOUNT

A – Diameter (sink or bowl opening)
B – Diameter (outside flange)

Normally Used By	A	B	ISE Ring Adaptor #	Special Information
ISE, Waste King, Toledo, National	4 1/2"	5 1/8"	11327A	Discard previous adaptor parts.
Bus Boy	6"	6 7/8"	11327K	Discard previous adaptor parts (has 3-piece split ring).
ISE, Toledo	6"	7 3/16"	11327B	Discard previous adaptor parts.
Standard ISE mounting	6 5/8"	7 1/8"	11599E	Discard previous adaptor parts.
National, Hobart, Toledo	7"	7 3/8"	11327G	Discard previous adaptor parts. National mounting has ten bolt circle on split ring.
Salvajor	7"	7 3/4"	11599A	Discard previous adaptor parts (split ring supplied).
ISE, Toledo	8"	9 1/4"	11327	Discard previous adaptor parts (split ring supplied).

2

A – Diameter (sink or bowl opening)
B – Diameter (outside flange)
E – Diameter (bolt hole circle)

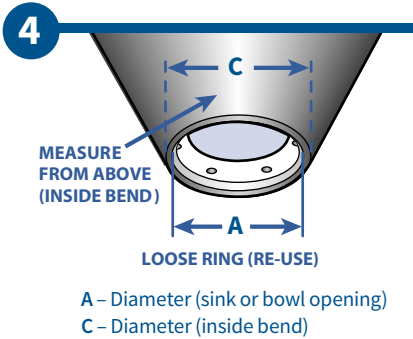
Normally Used By	A	B	E	No. of Bolt Holes	ISE Ring Adaptor #	Special Information
Waste King, Red Goat	4 1/2"	6 1/2"	5 1/2"	6	11599	Discard previous adaptor parts. Use existing bolt holes.
American Delphi, Atomic	6"	7 1/2"	6 7/8"	6	11378D	Discard previous adaptor parts. Use existing bolt holes.
National, Hobart	7"	8 1/2"	8 1/16"	10	11599B	Discard previous adaptor parts.

3

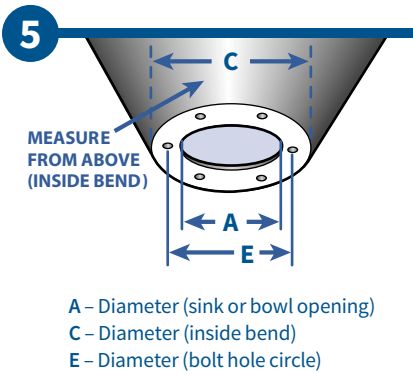
BOLT HOLES IN UNATTACHED RING

A – Diameter (sink or bowl opening)
B – Diameter (outside flange)

Normally Used By	A	B	ISE Ring Adaptor #	Special Information
Waste King	6"	6 1/2"	11327D	Loose ring on sink not used with this adaptor (O.D. of loose ring is 7 1/2" with six bolts – 7" bolt hole circle diameter).

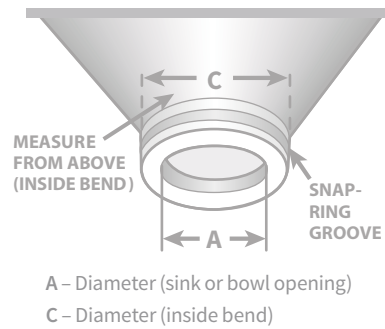


Normally Used By	A	C	ISE Ring Adaptor #	Special Information
Waste King, Bus Boy	5 7/8"	6 1/2"	11327H	Re-use existing clamping ring.
Waste King, Bus Boy	5 7/8"	6 7/8"	11327H	

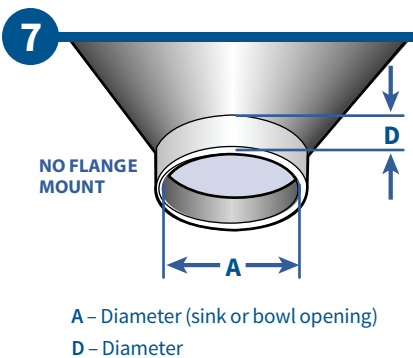


Normally Used By	A	C	E	No. of Bolt Holes	ISE Ring Adaptor #	Special Information
Hobart	4 1/2"	6 7/8"	5 1/2"	6	11327H	Discard previous adaptor parts.

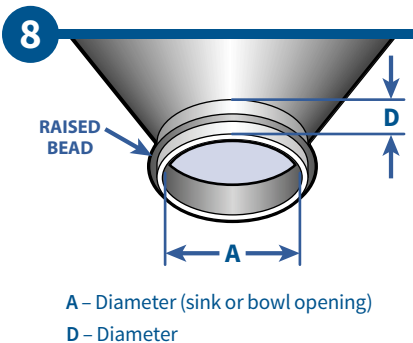
6 Discontinued



Normally Used By	A	C
Hobart	5"	5 7/8"
GE	6"	6 3/8"



Normally Used By	A	D	ISE Ring Adaptor #	Special Information
Red Goat, Insinger	4 1/2"	1 1/8"	11378C	4 3/4" rubber connection sleeve and clamping bands. Support legs required.
Waste King	6"	1 1/8"	11378A	6 1/4" rubber connection sleeve and clamping bands. Support legs required.
Red Goat, Insinger	7"	1 1/8"	11378B	7 1/4" rubber connection sleeve and clamping bands. Support legs required.
Master	8"	1"	11599K	8 1/4" rubber connection sleeve and clamping bands. Support legs required.



Normally Used By	A	D	ISE Ring Adaptor #	Special Information
Salvajor	4 7/16"	1"	11599N	Has raised bead on outside of sink throat. Support legs required.
Salvajor	6 5/8"	1"	11599H	

TRUSTED BY FOODSERVICE CONSULTANTS AND EQUIPMENT DEALERS.

Whether you serve 25 or 2,500 people, there is an InSinkErator disposer that's right for you.

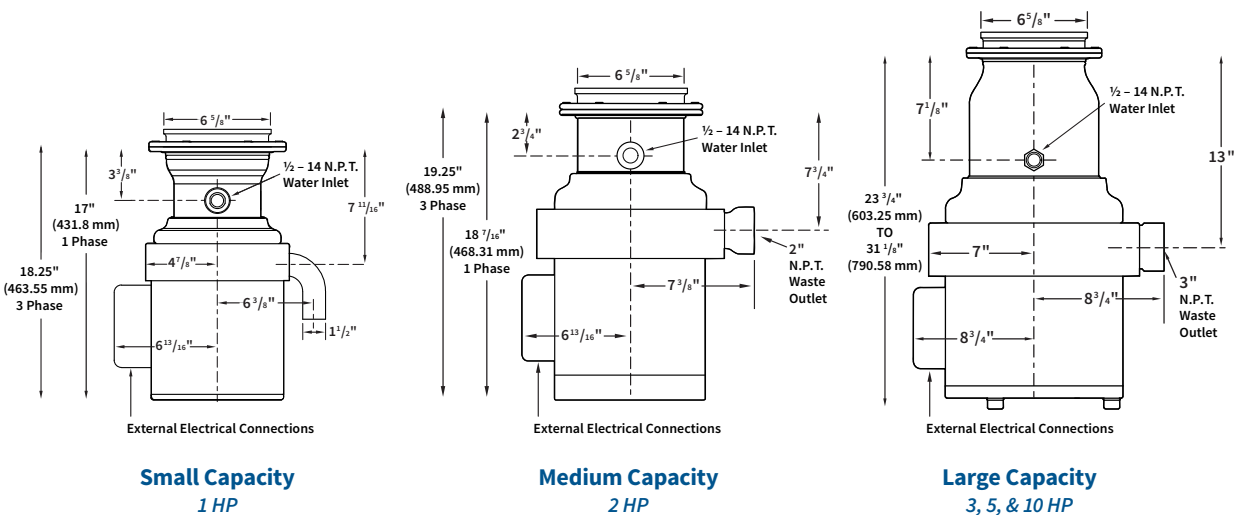
InSinkErator Commercial Disposer Sizing Chart

To determine the proper size disposer, use this recommended sizing chart. Sizing recommendations are given in general terms; actual capacities vary depending on the volume and type of food waste. LC-50 model available for light duty commercial applications, such as coffee shops, convenience stores, or quick service restaurants.

For questions or special applications, contact your Foodservice Consultant or InSinkErator.

Volume Processed	High Buffet/Cafeteria Government	SS-300	SS-300/500	SS-500	SS-500/1000	SS-500/1000	
	Medium Full Service Restaurant	SS-200	SS-300	SS-300/500	SS-500	SS-500/1000	
		SS-100	SS-200	SS-300	SS-300/500	SS-500	
	Low Limited Service Restaurant/Café/ Fast Casual	SS-100	SS-100	SS-200	SS-300	SS-300/500	
		Light Majority Fruits & Vegetables		Medium 50/50 Mixture		Heavy Majority Meats & Seafood	
		Food Waste Composition					

Five Stainless Steel Models from 1 HP to 10 HP in three sizes:



From food waste disposers and reduction systems to hot water dispensers and water saving systems, InSinkErator has a commercial equipment solution to enhance your day-to-day foodservice operations.



4700 21st Street Racine, WI 53406
 T: 800-845-8345 F: 262-554-3620
www.insinkerator.com/foodservice
 F188-17B-95-85

InSinkErator® may make improvements and/or changes in the specification at any time, in its sole discretion, without notice or obligation and further reserves the right to change or discontinue models.

©2022 InSinkErator InSinkErator is a business unit of Emerson Electric Co. All rights reserved.