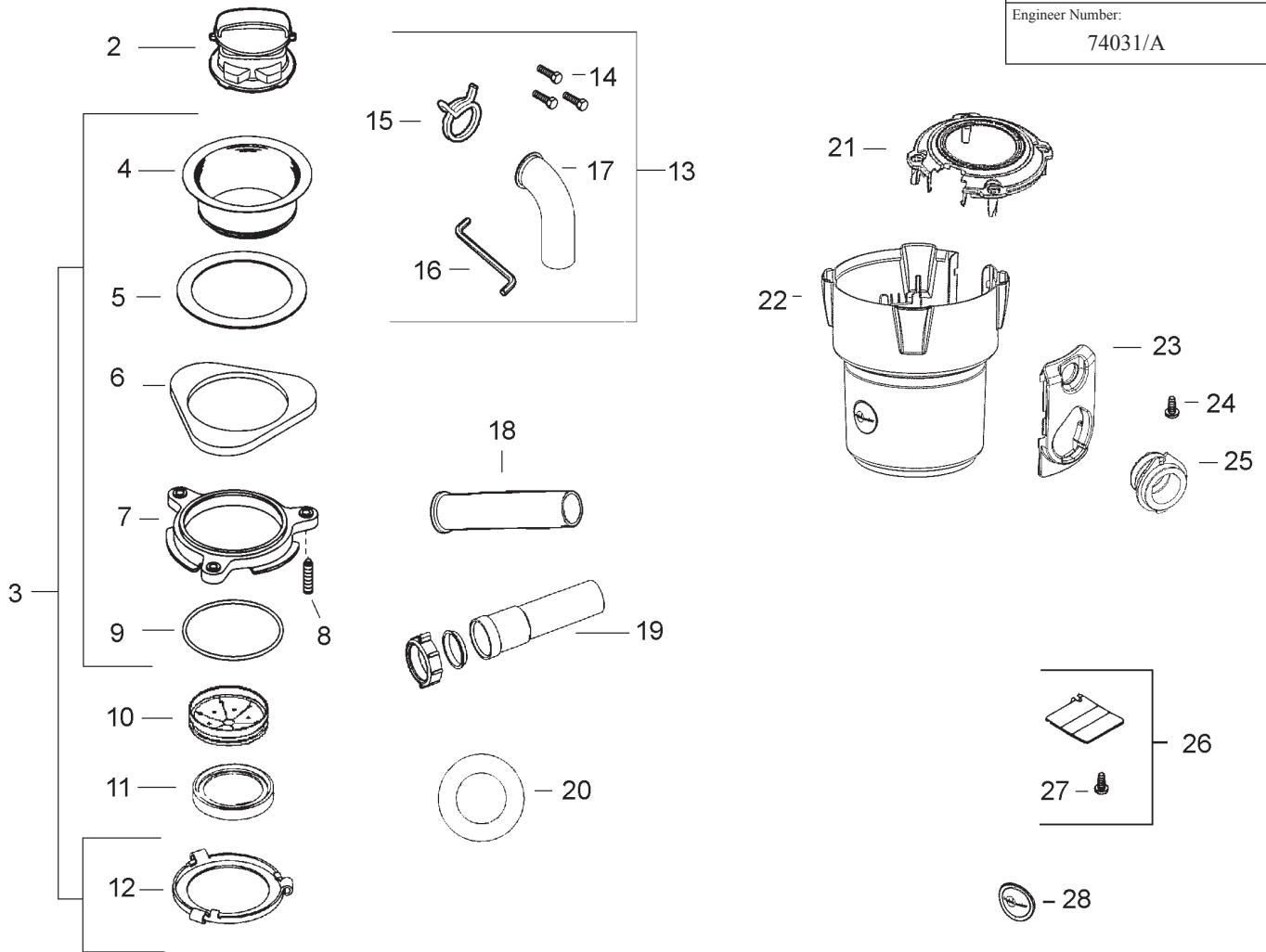




Evolution Cover Control™

UL

| | |
|------------------|-------------------|
| Warranty: | 7 Year Warranty |
| HP/Volts/Hertz: | 3/4 HP 120V 60 HZ |
| Production Date: | 05/2006 |
| Engineer Number: | 74031/A |



ORDER BY PART NUMBER, NOT CODE NUMBER

| CODE NO. | PART NO. | NO. REQ. | DESCRIPTION | CODE NO. | PART NO. | NO. REQ. | DESCRIPTION |
|----------|----------|----------|---|----------|----------|----------|--|
| 1 | 74552BZZ | 1 | Installation/Accessory Box (Includes codes 2 - 20) | 19 | 74230 | 1 | Extension Tube Assembly |
| 2 | 74103 | 1 | Stopper Assembly | 20 | 74263 | 1 | Backup Flange |
| 3 | 3173ED | 1 | Mountng Assembly (Includes codes 4-9 & 12) | 21 | 73697 | 1 | Trim Shell Cap |
| 4 | 10025P | 1 | Sink Flange | 22 | 74147ZZ | 1 | Trim Shell (Includes code 28) |
| 5 | 1160 | 1 | Fiber Gasket | 23 | 73700 | 1 | Boot |
| 6 | 5150E | 1 | Backup Flange | 24 | 74129 | 1 | Screw |
| 7 | 5141 | 1 | Mounting Flange | 25 | 74085 | 1 | Flex Coupler |
| 8 | 73258 | 3 | Backup Screws | 26 | 72647A | 1 | Terminal Cover Assembly (Includes code 27) |
| 9 | 5166 | 1 | Snap Ring | 27 | N/A | 1 | Screw |
| 10 | 74060 | 1 | Sink Baffle | 28 | 73786 | 1 | Trim Shell Badge |
| 11 | 74054 | 1 | Mounting Gasket | 29 | 2272 | 1 | Plug & Cord |
| 12 | 5298 | 1 | Body Flange | | | | |
| 13 | 2610WJ | 1 | Installation Kit (Includes codes 14 - 17) | 30 | 70666 | 1 | Bushing (74031A only - Not Shown) |
| 14 | N/A | 1 | Kit (3 screws) | 31 | 74077 | 1 | Installation, Care & Use Manual (Not Shown) |
| 15 | 74701 | 1 | Spring Clamp | | | | |
| 16 | 4577 | 1 | Wrench | | | | |
| 17 | N/A | 1 | Tailpipe | | | | |
| 18 | 74012 | 1 | 12" Discharge Tube | | | | |