



# Food Waste Disposers

## QUIET SERIES

# Evolution Prestige®



### Submittal Sheet

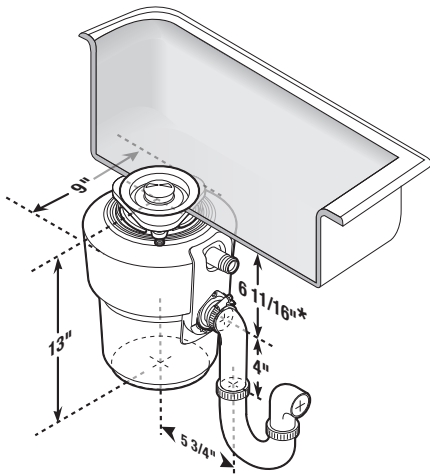
Superior performing food waste disposer.

- **Easy Swap.** Designed to fit existing InSinkErator disposers.
- **3-Stage MultiGrind® Technology** for heavy-duty food scraps like beef bones.
- **Highest Durability.** Alloy stainless steel components with LeakGuard Liner.™
- **Quietest disposer on the market** with extra insulated SoundSeal® technology.
- **Jam Preventing Auto-Reverse Grind System®.**

### Specifications

|                             |  |
|-----------------------------|--|
| Type of Feed                | Continuous   |
| On/Off Control              | Wall Switch  |
| Motor                       | Single Phase   |
| HP                          | 1  |
| Volts                       | 120  |
| Reversing                   | Auto-Reverse Grind System® feature   |
| HZ                          | 60   |
| RPM                         | 1725   |
| Amp. (Avg. Load)            | 10.2   |
| Time Rating                 | Intermittent   |
| Lubrication                 | Permanently Lubricated Upper & Lower Bearings  |
| Shipping Weight (Approx.)   | 22.9 lbs.  |
| Unit Finish                 | Black Enamel / Blue  |
| Overall Height              | 13"  |
| SoundSeal Technology        | Anti-Vibration Mount®<br>Anti-Vibration Tailpipe Mount™<br>Quiet Collar® Sink Baffle<br>Multi-Layer SoundLimiter® Insulation |
| MultiGrind Technology       | GrindShear Ring®<br>Tri-Action Lug® System feature<br>Undercutter Disk®  |
| Grind Chamber Capacity      | 40 oz.   |
| Motor Protection            | Manual Reset Overload  |
| Average Water Usage         | Approx. 1 Gallon Per Person Per Day  |
| Average Electrical Usage    | 3-4 KWH Per Year   |
| Drain Connection            | 1-1/2" Anti-Vibration (Hose Clamp)   |
| Dishwasher Drain Connection | Yes  |

### Dimensions



\*Add 1/2" when stainless steel sinks are used.

### Sample Specification

Food Waste Disposer(s) shall be InSinkErator Model Evolution Prestige® with MultiGrind® and SoundSeal® technologies, 1 HP motor, Auto-Reverse Grind System®, stainless steel grind chamber and components.

**Warranty:**  
10-Year parts and in-home service.

\* The complete InSinkErator warranty is included in the Care & Use Booklet packed with each unit.



Food waste is roughly 80% water. By using your disposal regularly, you can help divert food waste from landfills and reduce greenhouse gas emissions. Make sustainability a family affair by using your disposal. After all, the smallest changes can make the biggest impact.

### Job Specifications



The Emerson logo is a trademark and service mark of Emerson Electric Co. The mounting collar configuration is a trademark of Emerson Electric Co. Quick Lock® is a registered trademark of Emerson Electric Co.

InSinkErator may make improvements and/or changes in the specifications at any time, in its sole discretion, without notice or obligation and further reserves the right to change or discontinue models.

1-800-558-5700  
www.insinkerator.com