




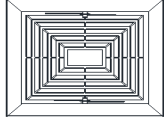
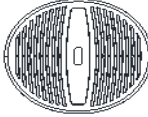
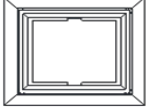

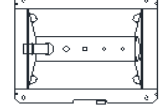




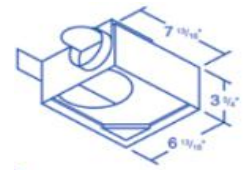
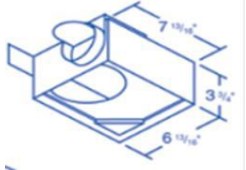
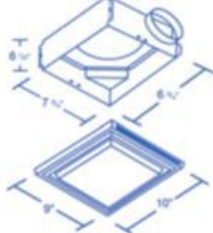
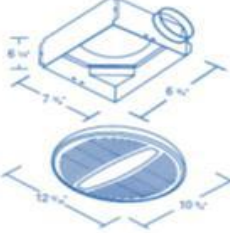


Click on the part number to view the product page

ECONOMY QUICK MOUNT SERIES A647, A664IC, MM647, MM648, AND MM748

MOTOR		IMPELLER	DUCT ADAPTER		LAMP HOLDER
					
GM50 A647 A647A A647B A664IC MM647 MM647B MM648	GM70 MM748 MM748H	8710-8016 A647 A647A A647B A664IC MM647 MM647B MM648 MM748 MM748H	991-630 A647 A647A A647B MM647 MM647B MM648	991-615 A664IC MM748 MM748H	398-051 A664IC
GRILLE		LENS	GRILLE SPRING (2 REQ)	REFLECTOR ASY	
					
991-616-W A647 A647A A647B	2501-2053-000 MM647 MM647B MM648 MM748 MM748H	357-116-W A664IC	460-010-W A664IC	733-218 A647 A647A A647B MM647 MM647B MM648 MM748 MM748H	8826-8039 A664IC
 A647B	 MM647B	 A664IC	 MM648 MM748	   	

NOTE: GM50 & GM70 INCLUDE MOTOR/IMPELLER AND BRACKET